

AKH-0.66 W-30N 150A/100mA 电流互感器

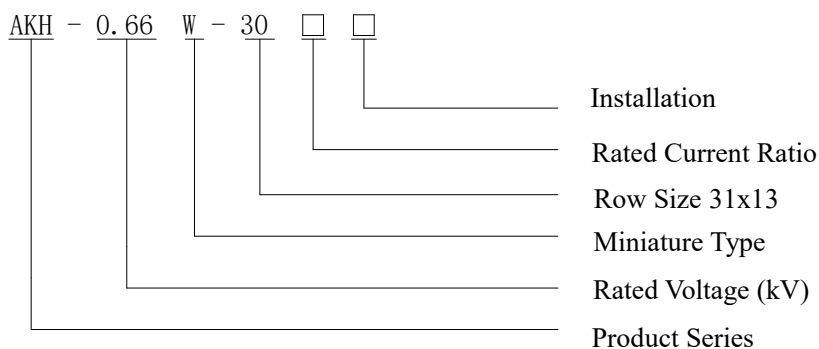
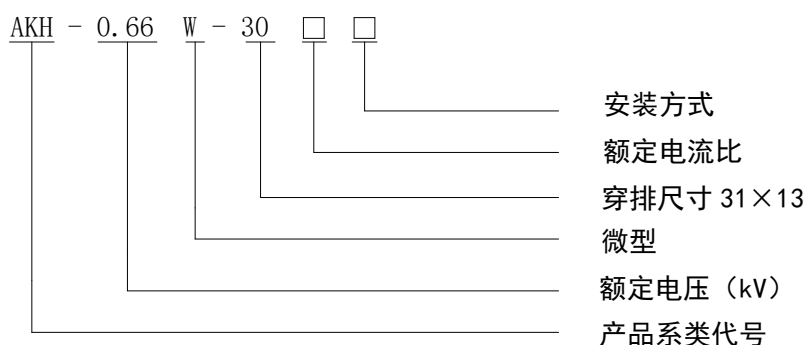
AKH-0.66 W-30N 150A/100mA current transformer

1、产品特点 Product Features

该产品为方形，输出为毫安级小电流信号，主要用于测量数据中心、列头柜主母排电流测量，产品具有体积小，精度高，带载能力强，安装方便等优点。

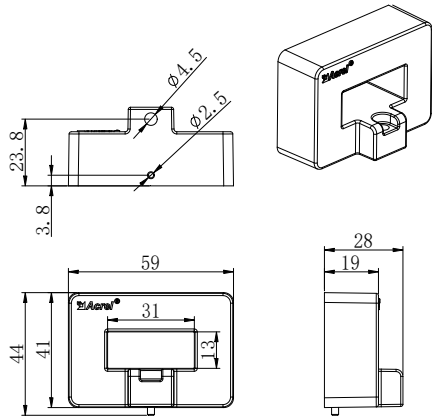
This product is square size and its output is milliamper-level small current signal. It is mainly used to measure the current of main busbar in data center or cabinet. It has the advantages of small volume, high accuracy, strong load capacity, convenient installation, etc.

2、型号说明 Type Description

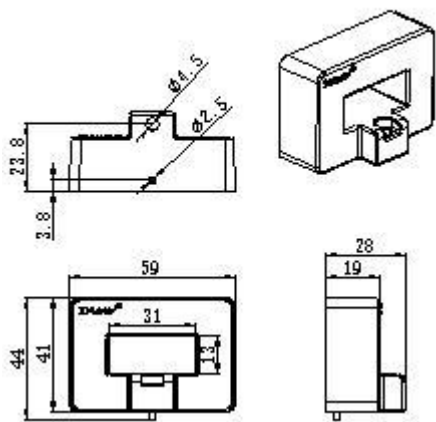


3、规格尺寸 Configuration Size

单位: mm



unit: mm



注：一次引出线从 P1 进，P2 面（灌胶面）出，二次引出线红色为 S1，黑色 S2。

Note: Primary outlet wire enters from P1 and exits from P2 (filling surface).The red secondary outlet wire is S1 while the black is S2.

4、规格参数对照表 Parameter Comparison

规格	额定电 流比	准确级及相应额定负荷(Ω)			穿心 匝数	母排规格 (mm)/根数
		0.2 级	0.5 级	1 级		
W-30N	150A/100mA	10	/	/	1	30×10/1

Specification	Rated Current ratio	Precision degree and corresponding rated load (VA)			Straight- through turns	Busbar Specifications (mm)/Quantity
		0.2class	0.5class	1class		

W-30N	150A/100mA	10	/	/	1	30×10/1
-------	------------	----	---	---	---	---------

5. 电气参数 Electrical Parameters

电气 参数	额定输入	150A	额定输出	100mA
	匝数	1500	额定点比差	±0.2 %
	额定负载	10Ω	一次电流范围	7.5-180A
	同名端	P1 和红线	工作频率	50-400HZ
	工频耐压	3000V/1min	绝缘电阻	100MΩ@500Vdc
	二次输出线	2*26#AWG(红、黑)黑色护套线，线长 60cm+10mm		

Electrical Parameters	Rated Input	150A	Rated Output	100mA
	Turns	1500	Rated Point Difference Ratio	±0.2 %
	Rated Load	10Ω	Primary Current Range	7.5-180A
	Corresponding Terminals	P1 and red wire	Operating Frequency	50-400HZ
	Power Frequency Withstand Voltage	3000V/1mi n	Insulation Resistance	100MΩ@500V dc
	Secondary Outlet Wire	2*26#AWG(Red、Black)black sheathed wire, wire length 60cm+10mm		

6. 使用环境 Operating Environment

- 额定工作电压 AC0.66kV (等效 AC0.69kV, GB156-2017)
- 额定频率 50-400Hz
- 环境温度-30℃~70℃
- 海拔高度≤3000m
- 工频耐压 3000V/1min 50Hz

- 用于没有雨雪直接侵袭，无严重污染及剧烈震动的场所
- Rated operation voltage AC0.66kV (Equivalent to AC0.69kV,GB156-2017)
- Rated frequency 50-400Hz
- Ambient air temperature -30°C-70°C
- Height above sea level \leq 3000m
- Power frequency withstand voltage 3000v/1min 50Hz
- Used in place without direct rain and snow,without severe pollution and acute shock